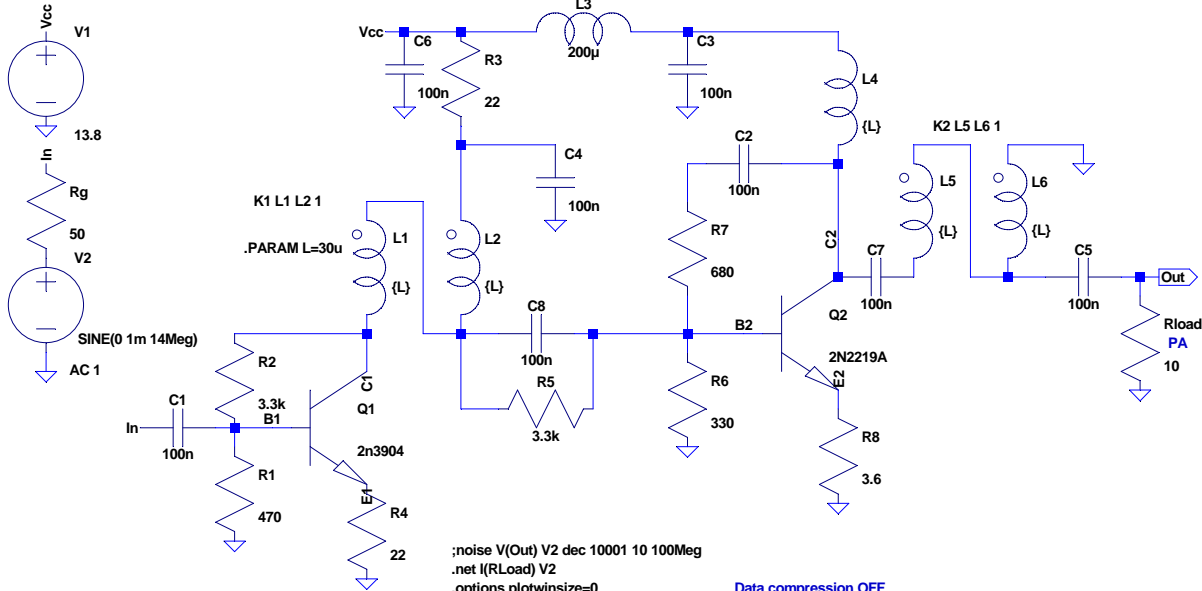


TRANSCIVER CW F8EOZ - PA Driver - V 16/02/2013 11:40



```

;noise V(Out) V2 dec 10001 10 100Meg
.net I(RLoad) V2
.options plotwinsize=0
;tran 0 200us 0 1ns
;ac dec 100001 1Meg 100Meg
.op
    
```

Data compression OFF
 Résolution de fréquence = 1/20us = 50KHz
 Nombre d'exemples = 20us/0.1ns=200 000

--- Operating Point ---

V(p001):	0	voltage
V(b1):	1.55347	voltage
V(in):	7.76736e-018	voltage
V(out):	0	voltage
V(b2):	1.04664	voltage
V(n005):	12.8484	voltage
V(c1):	12.8484	voltage
V(n002):	12.8484	voltage
V(vcc):	13.8	voltage
V(n001):	13.7999	voltage
V(c2):	13.7998	voltage
V(e1):	0.800238	voltage
V(e2):	0.282715	voltage
V(n004):	1.04664	voltage
V(n003):	0	voltage
V(n006):	0	voltage
Ic(Q2):	0.0781274	device_current
Ib(Q2):	0.000404641	device_current
Ic(Q2):	-0.0785327	device_current
Ic(Q1):	0.036257	device_current
Ib(Q1):	0.000117437	device_current
Ie(Q1):	-0.0363744	device_current
I(C6):	1.38e-018	device_current
I(C7):	-1.37998e-018	device_current
I(C5):	0	device_current
I(C3):	1.37999e-018	device_current
I(C2):	1.27532e-018	device_current
I(C4):	1.28484e-018	device_current
I(C8):	-1.18017e-018	device_current
I(C1):	1.55347e-019	device_current
I(L3):	0.0781274	device_current
I(L6):	1.37998e-018	device_current
I(L5):	1.37998e-018	device_current
I(L4):	0.0781274	device_current
I(L2):	-0.043256	device_current
I(L1):	-0.0396797	device_current
I(R8):	0.078532	device_current
I(R7):	1.30614e-018	device_current
I(R6):	0.00317164	device_current
I(R5):	-0.00357628	device_current
I(R4):	0.0363744	device_current
I(R3):	0.043256	device_current
I(R2):	0.0034227	device_current
I(R1):	0.00330526	device_current
I(Rg):	1.55347e-019	device_current
I(Rload):	0	device_current
I(V1):	-0.121383	device_current
I(V2):	1.55347e-019	device_current