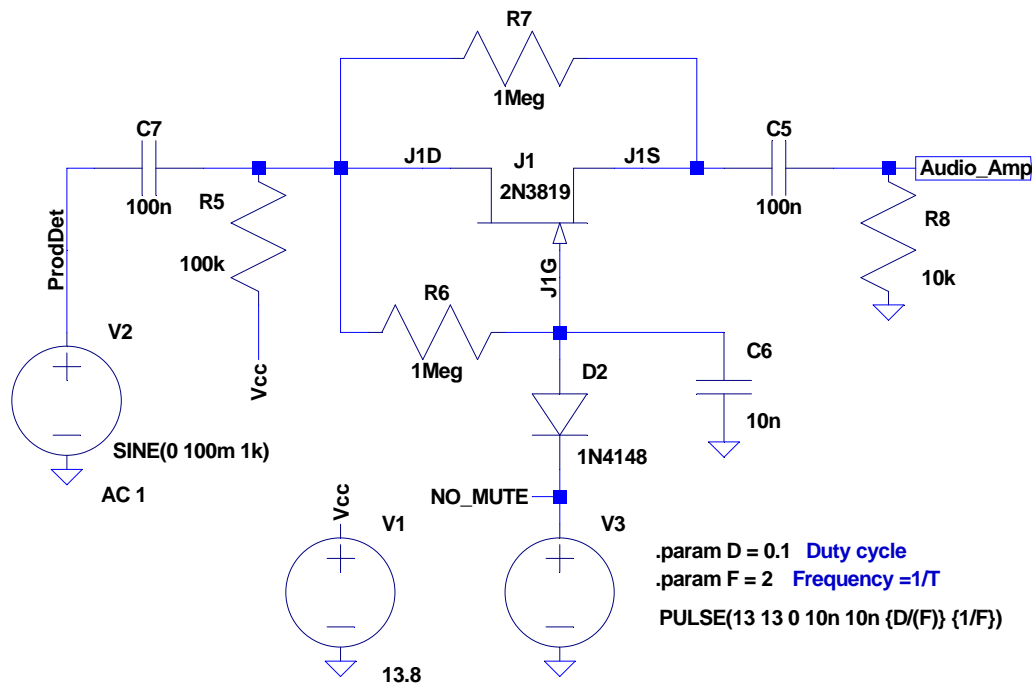


TRANSCEIVER CW F8EOZ - Rx/Tx Switching - V 17/02/2013 17:00

MUTE



--- Operating Point ---

V(vcc):	13.8	voltage
V(j1g):	13.2447	voltage
V(no_mute):	13	voltage
V(j1d):	13.8	voltage
V(j1s):	13.8	voltage
V(audio_amp):	1.38e-014	voltage
V(proddet):	0	voltage
I(C7):	1.38e-018	device_current
I(C6):	-1.32447e-019	device_current
I(C5):	1.38e-018	device_current
I(D2):	5.55306e-007	device_current
Id(J1):	1.93421e-012	device_current
Ig(J1):	-1.93467e-012	device_current
Is(J1):	4.66634e-016	device_current
I(R8):	-1.38e-018	device_current
I(R7):	1.5358e-016	device_current
I(R6):	-5.55304e-007	device_current
I(R5):	1.93506e-012	device_current
I(V3):	5.55306e-007	device_current
I(V2):	1.38e-018	device_current
I(V1):	-5.55306e-007	device_current

R6 and C6 delays the turn on time for J1 to prevent audio thumps

At transmit time, the gate of J1 is pulled low, muting the audio, R7 allows some audio to leak past J1 for side tone.

```
;noise V(Out) V2 dec 10001 10 100Meg
```

```
.net I(RLoad) V2
```

```
.options plotwinsize=0
```

```
;tran 0 1s 0 0.5u
```

```
;ac dec 100001 1Meg 100Meg
```

```
.op
```

Data compression OFF

Résolution de fréquence = 1/20us = 50KHz

Nombre d'exemples = 20us/0.1ns=200 000