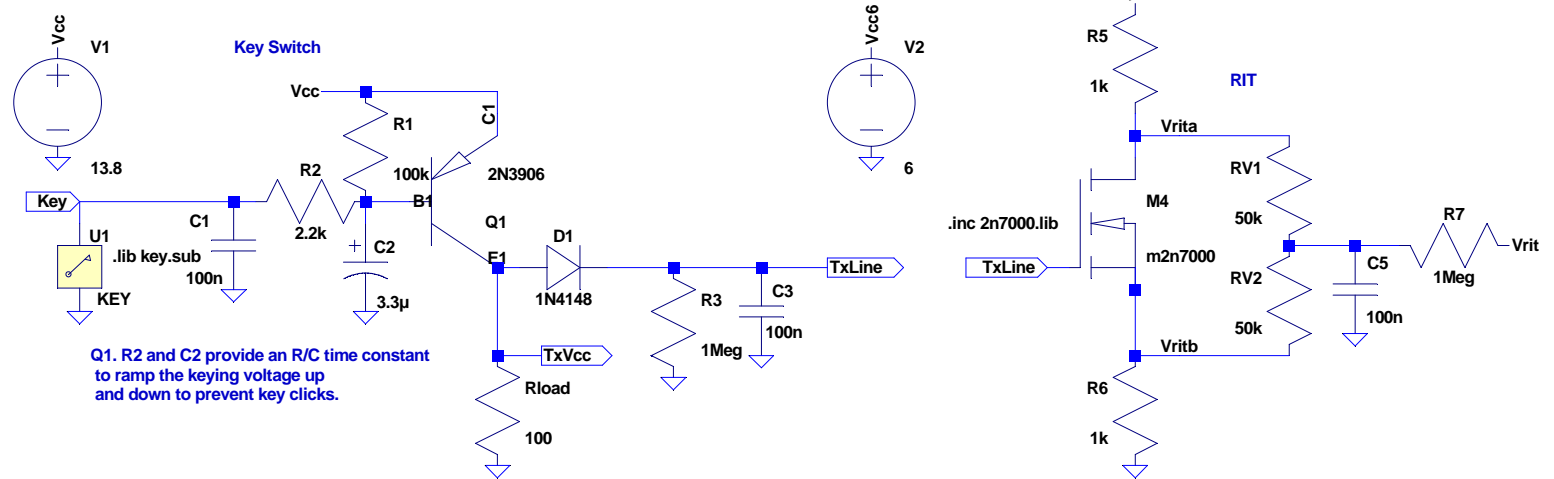


TRANSCIEVER CW F8EOZ - Rx/Tx Switching - V 17/02/2013 17:00



Q1, R2 and C2 provide an R/C time constant to ramp the keying voltage up and down to prevent key clicks.

```

;noise V(Out) V2 dec 10001 10 100Meg
.net I(RLoad) V2
.options plotwinsize=0      Data compression OFF
;tran 0 1s 0 5u           Résolution de fréquence = 1/20us = 50KHz
;ac dec 100001 1Meg 100Meg  Nombre d'exemples = 20us/0.1ns=200 000
.op
    
```